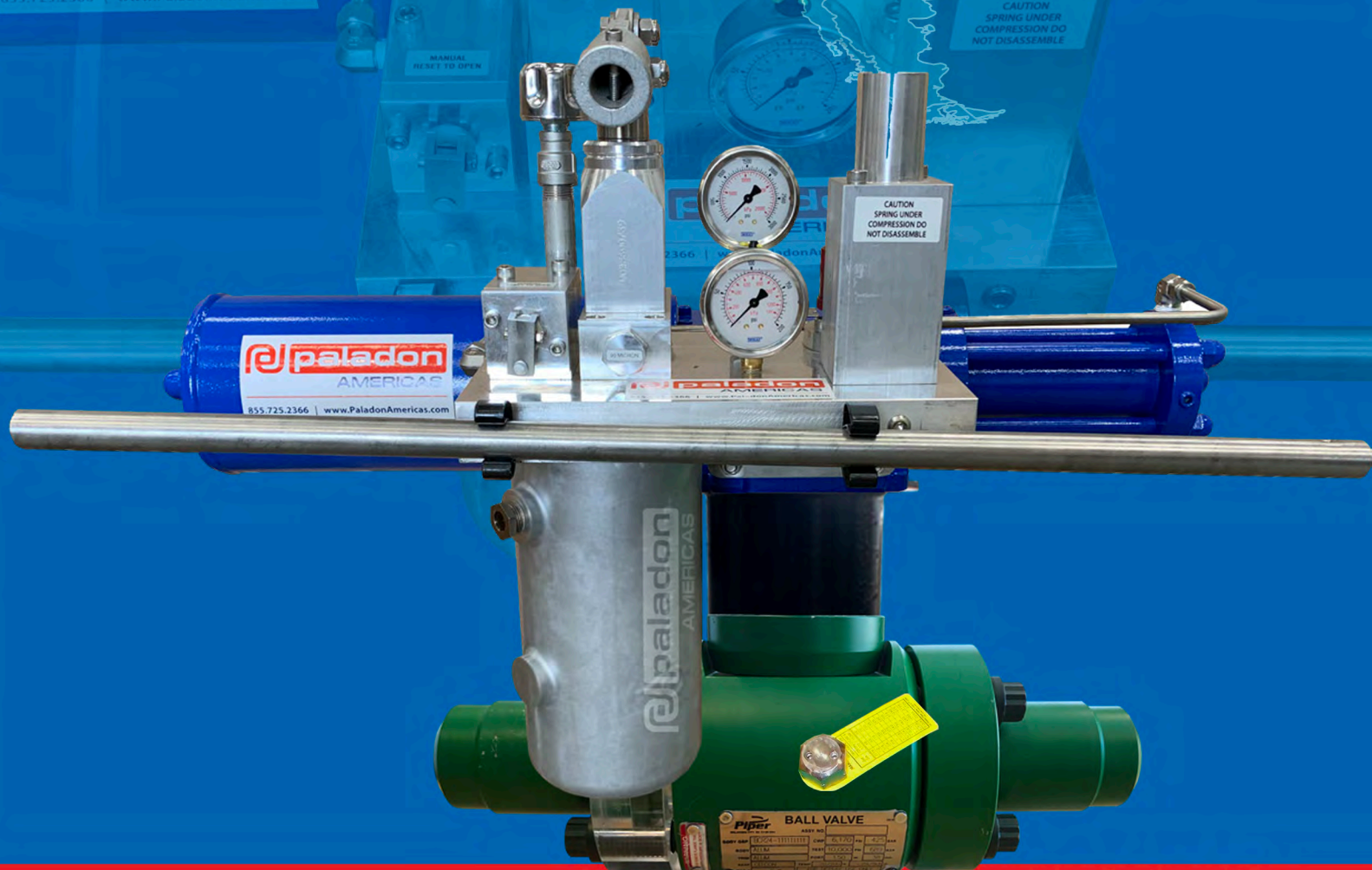




paladon AMERICAS



paladon
AMERICAS
855.725.2366 | www.PaladonAmericas.com



SELF CONTAINED HYDRAULIC ESD

SELF CONTAINED HYDRAULIC CONTROLLER

The Self-Contained Hydraulic Controller provides reliable emergency valve shutdown capability when external power is unavailable. Essentially, it provides the energy needed to actuate an automated valve.

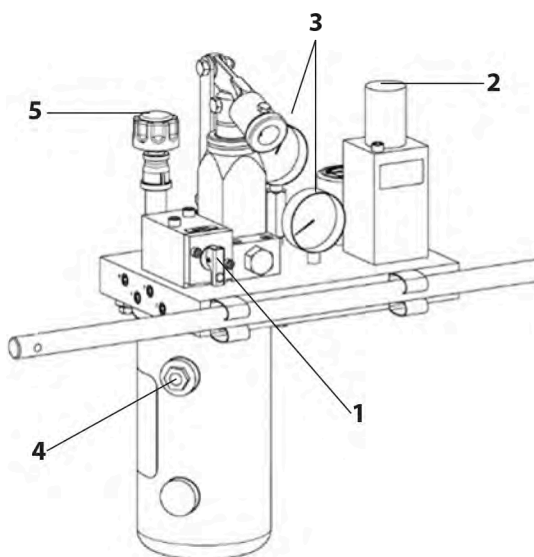
The controller can be supplied alone for retrofit applications or in conjunction with a high/low pressure pilot, solenoid, actuator and valve to round out a complete emergency shutdown system.

FEATURES:

- Temperature range: -50° F to 180° F (-46° C to 82° C)
- Standard reservoir usable volume: 183 in3 (3.0L)
- Extended reservoir usable volume: 330 in3 (5.4L)
- SCADA compatible, for remote operation
- Modular design, compatible with existing installations
- Readily available spares/support
- Environmentally friendly: zero emissions, recyclable oil
- Self-contained, requires no outside power
- Available in 1/4 turn or linear actuators
 - 1/4 Turn to 1.4M in/lbs.
 - Linear to 65,000 lb/f.
- Easy field installation



Call 855-725-2366 to find out more about Paladon - Total Valve Control.



HIGH PRESSURE MODEL

Maximum actuator pressure:

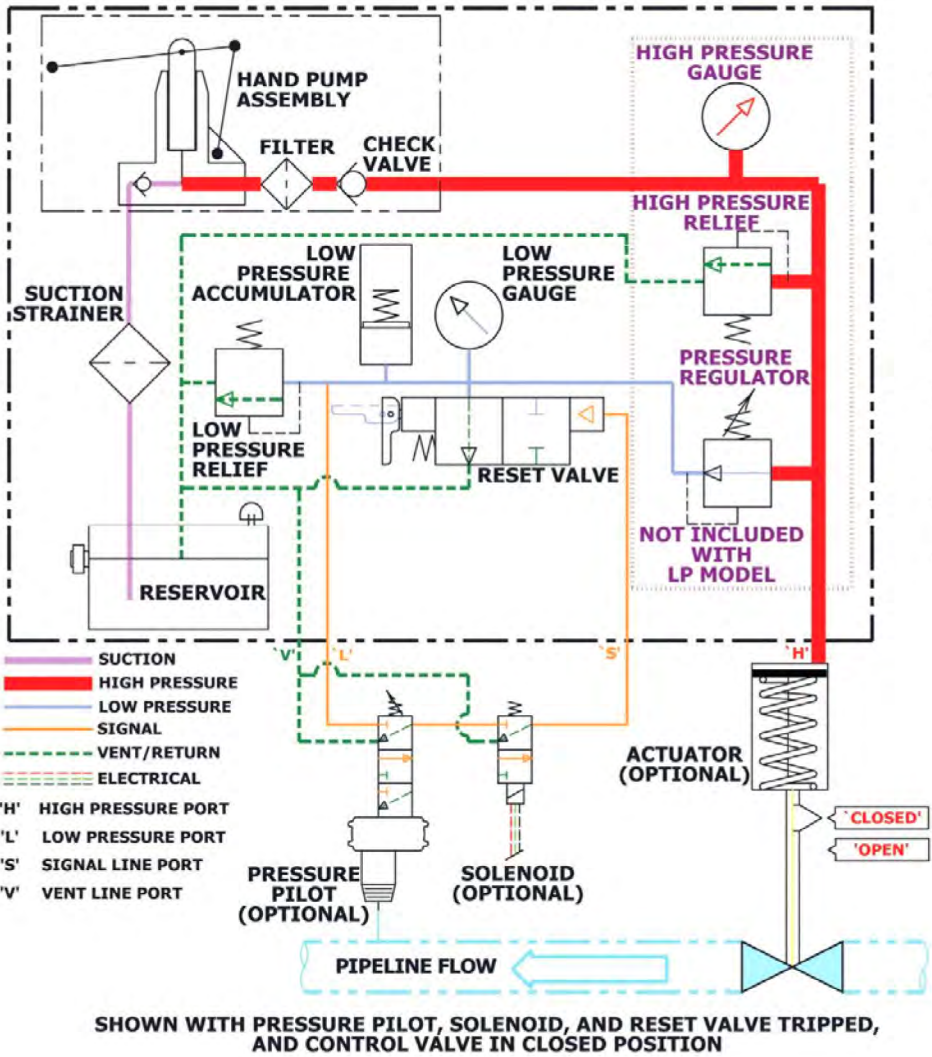
- Nominal 2000 PSI (138 bar)
- Available up to 5000 PSIG (340 bar)

Maximum signal pressure: 150 PSIG (10 bar)

- Weight: 36 lbs (16kg)

Features:

- 1. Instant Automatic Mode:** A visual cue indicates active status
- 2. Automatic Accumulator:** Compensates for temperature fluctuations
- 3. Dual Gauges:** Visual indication of system status
- 4. Glass Sight:** Will not fog over time
- 5. Raised Breather:** Prevents oil contamination (e.g. snow)

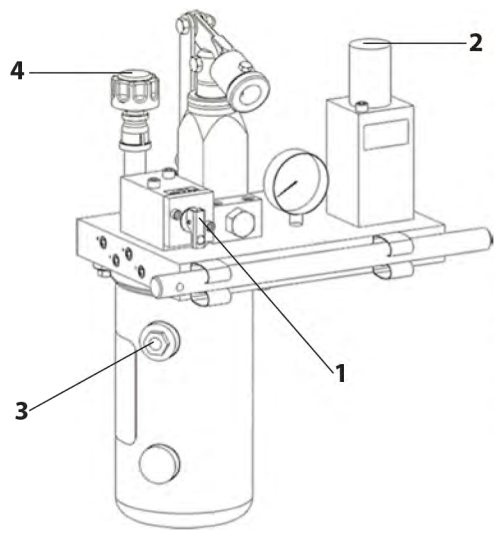


To Open control valve:

1. Ensure line is within pressure pilot set-points
2. Energize solenoid
3. Manually latch reset valve
4. Operate hand pump until actuator is open and reset valve automatically arms

Control Valve will close if either:

- Reset valve is manually pushed in
- Line pressure falls outside of set-points
- Solenoid is de-energized



LOW PRESSURE MODEL

Maximum actuator pressure:

- Nominal 100 PSI (8 bar)
- 150 PSIG (10 bar)

Maximum signal pressure: 150 PSIG (10 bar)

- Weight: 32 lbs (14 kg)

Features:

- 1. Instant Automatic Mode:** A visual cue indicates active status
- 2. Automatic Accumulator:** Compensates for temperature fluctuations
- 3 Glass Sight:** Will not fog over time
- 4. Raised Breather:** Prevents oil contamination (e.g. snow)



PALADON SYSTEMS OVERVIEW

For over 30 years Paladon Systems has been supplying valve actuators and control systems on a global basis.

Since our inception in 1981 we have continuously developed our design, engineering, organizational, quality and management capabilities. Today we design and manufacture many valve automation technologies that lead the industry in terms of operational performance, reliability and environmental responsibility.

Our vast experience with supporting the Oil, Gas and Power industries with valve automation solutions for the most critical applications in extreme operating environments has resulted in product designs that offer unsurpassed quality and reliability across all industries and applications.

Holding ISO 9001 certification for over 20 years, today we hold accreditation and approvals from almost all the major institutes, engineering companies and end users.

Headquartered in England, we also have facilities and offices in Scotland, Italy, Russia, Malaysia and the US to support our growing global client base.

With over 10,000 actuators installed across the globe and a comprehensive suite of valve automation solutions backed by a dedicated team of field service engineers, we are Total Valve Control.



Paladon Americas is the newest addition to the worldwide family of Paladon Systems. With our multi-million dollar inventory and knowledgeable staff, centrally located in Houston, TX we are able to service your immediate automation needs. While providing the American market with automation solutions we strive to deliver exceptional quality actuators and cutting edge technology.

855-PALADON (855-725-2366)

Fax: 832 310 2370

14514 Luthe Road

Houston, TX 77039

info@paladonamericas.com

www.paladonamericas.com

AVI

ROCKY MOUNTAIN

AUTOMATION, VALVES & INSTRUMENTATION

435-654-3517

www.avirockymountain.com